

**Abrasive Waterjet Cutting Head
IDE™ Assembly**

*Breakthrough Simplicity
and Performance*



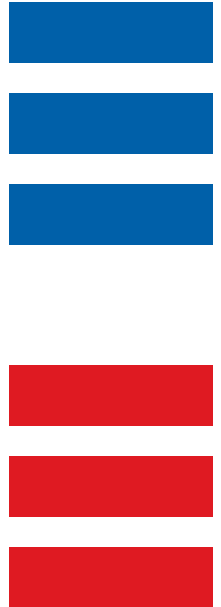
COMPANY OVERVIEW

KMT is a leading manufacturer of waterjet cutting systems and developer of "Cutting Edge Solutions" for customers in a very wide range of industries. The focus of the company is on intelligently developing high pressure systems and parts for ease of use and reliable operation.

The strength of the company is found in the strong waterjet experience of the employees (tracing back to 1971), the largest network of system integrators in the world, and the continual investment in research and development, using customer feedback.

The world's largest network of system integrators and support people are available to assist with more information at any time.

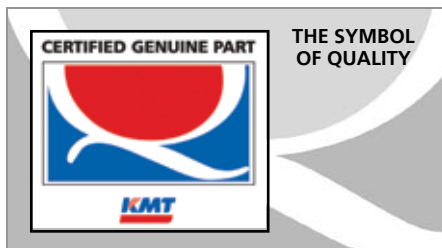
For the best waterjet system, replacement parts and robotic interface components, rely on the "Cutting Edge Solutions" delivered by **KMT**.



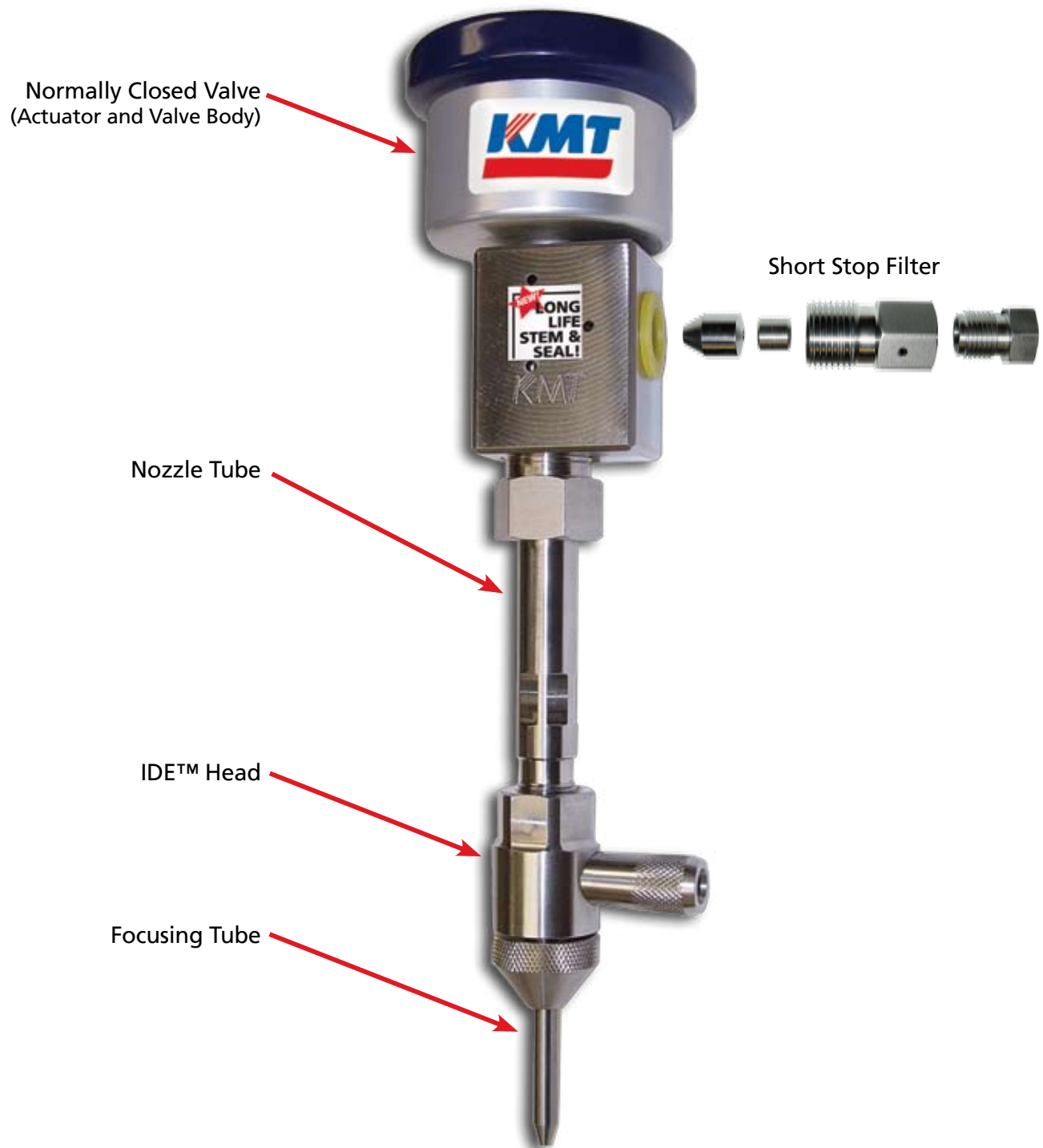
The KMT Waterjet Family of Products

The IDE™ (Integrated Diamond Eductor) Assembly is one of the newest additions to the line of industry-leading products available from KMT Waterjet. Other products include an abrasive feeder, precision abrasive meter, high pressure filters and line of very advanced, extreme pressure Streamline™ Pumps.

Please call to discuss your applications or to receive more information on any high pressure component. KMT Waterjet has a network of trained and certified technicians available to provide Cutting Edge Solutions.



IDE™ Assembly Components



Summary/Overview

- **Simple** - One piece body, orifice and mixing chamber design eliminates guesswork and reduces assembly time.
- **Superior Operation** - *10-20 times better performance over sapphires or rubies!*
- **Permanent Alignment** - Integrated orifice has almost 0% chance for mis-alignment.
- **Stress-free Diamond Mount** - Seal is formed between the body and nozzle tube, without stress on the diamond.

4 Ways to Order

- **Complete Kit** - Includes everything needed to attach to the high pressure line.
- **Autoline™ to IDE™ Conversion Kit** - Includes everything needed to install the IDE™ in place of the Autoline™ cutting head.
- **Cutting Head Replacement Kit** - The easiest kit to order once the conversion has been made; the kit includes everything needed for up to 700 hours of operation.
- **IDE™ Head Only** - Includes just the head and filter element.

Part Number	HP Water Inlet Tube	ShortStop Filter Assy.	Actuator & Valve Body	Nozzle Tube	IDE™ Size	Focusing Tubes		
						Len	ID	Qty
Complete Kits (Everything needed after the HP Filter)								
20456277	3/8"	Yes	Yes	6"	0.007"	3"	.021"	1
20454483	3/8"	Yes	Yes	6"	0.010"	3"	.030"	1
20454486	3/8"	Yes	Yes	6"	0.011"	3"	.030"	1
20454489	3/8"	Yes	Yes	6"	0.013"	3"	.040"	1
20454492	3/8"	Yes	Yes	6"	0.014"	3"	.043"	1
20456280	1/4"	Yes	Yes	6"	0.007"	3"	.021"	1
20455902	1/4"	Yes	Yes	6"	0.010"	3"	.030"	1
20454498	1/4"	Yes	Yes	6"	0.011"	3"	.030"	1
20454501	1/4"	Yes	Yes	6"	0.013"	3"	.040"	1
20454504	1/4"	Yes	Yes	6"	0.014"	3"	.043"	1
Autoline™ to IDE™ Conversion Kits								
20456283	3/8"	Yes	-	6"	0.007"	3"	.021"	1
20454447	3/8"	Yes	-	6"	0.010"	3"	.030"	1
20454450	3/8"	Yes	-	6"	0.011"	3"	.030"	1
20454453	3/8"	Yes	-	6"	0.013"	3"	.040"	1
20454456	3/8"	Yes	-	6"	0.014"	3"	.043"	1
20456286	1/4"	Yes	-	6"	0.007"	3"	.021"	1
20454459	1/4"	Yes	-	6"	0.010"	3"	.030"	1
20454462	1/4"	Yes	-	6"	0.011"	3"	.030"	1
20454465	1/4"	Yes	-	6"	0.013"	3"	.040"	1
20454468	1/4"	Yes	-	6"	0.014"	3"	.043"	1
IDE™ Replacement Kits								
20456289	-	Filter Element Only	-	-	0.007"	3"	.021"	7
20454471	-	Filter Element Only	-	-	0.010"	3"	.030"	7
20454474	-	Filter Element Only	-	-	0.011"	3"	.030"	7
20454477	-	Filter Element Only	-	-	0.013"	3"	.040"	7
20454480	-	Filter Element Only	-	-	0.014"	3"	.043"	7
IDE™ Performance Kits								
20456301	3/8"	Filter Element Only	-	-	0.013"	4"	0.30"	15
20454336	1/4"	Filter Element Only	-	-	0.013"	4"	0.30"	15
IDE™ Head Only (other sizes available on request)								
20454306	-	Filter Element Only	-	-	0.007"	-	-	-
20456358	-	Filter Element Only	-	-	0.009"	-	-	-
20454309	-	Filter Element Only	-	-	0.010"	-	-	-
20454312	-	Filter Element Only	-	-	0.011"	-	-	-
**	-	Filter Element Only	-	-	0.012"	-	-	-
20454315	-	Filter Element Only	-	-	0.013"	-	-	-
20454318	-	Filter Element Only	-	-	0.014"	-	-	-
20456361	-	Filter Element Only	-	-	0.018"	-	-	-

20454426 - Filter Element



The IDE™ - A Breakthrough in Abrasive Cutting Heads

The Easiest-to-Use Abrasive Cutting Head!

Finally! A cutting head with the fewest possible parts making performance simple and reliable. Now, the only pieces which need to be replaced are the focusing tubes and head body. Each IDE™ has a permanently mounted diamond and mixing chamber and each includes the removable abrasive inlet, focusing tube retaining nut, retaining ring and high pressure filter element.

Performance is Guaranteed!

Every head is guaranteed to last a minimum of *500 hours, saving money in maintenance, improving cut quality and operation.

Includes Short Stop Filter Element

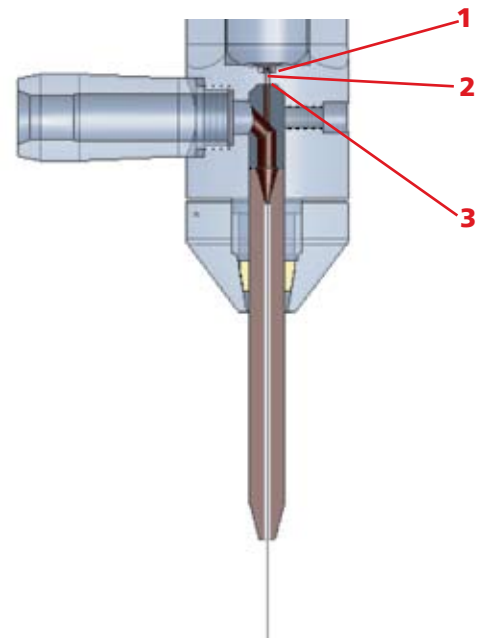
Every IDE™ includes a new filter element for the Short Stop Filter. The filter keeps impurities from clogging the orifice.

*500 hours or 4 months from ship date when used with Short Stop Filter. (See warranty information included with product).



Components Overview

- Virtually Indestructible Diamond – Seal is formed between the body and nozzle tube, without stress on the diamond. **(1)**
- Permanent Alignment – Integrated orifice has almost 0% chance for mis-alignment. **(2)**
- Simple – One-piece body, orifice and mixing chamber design eliminates guesswork and reduces assembly time. **(3)**



The IDE™ Assembly is a Big Advance for the Waterjet Industry:

Simplicity

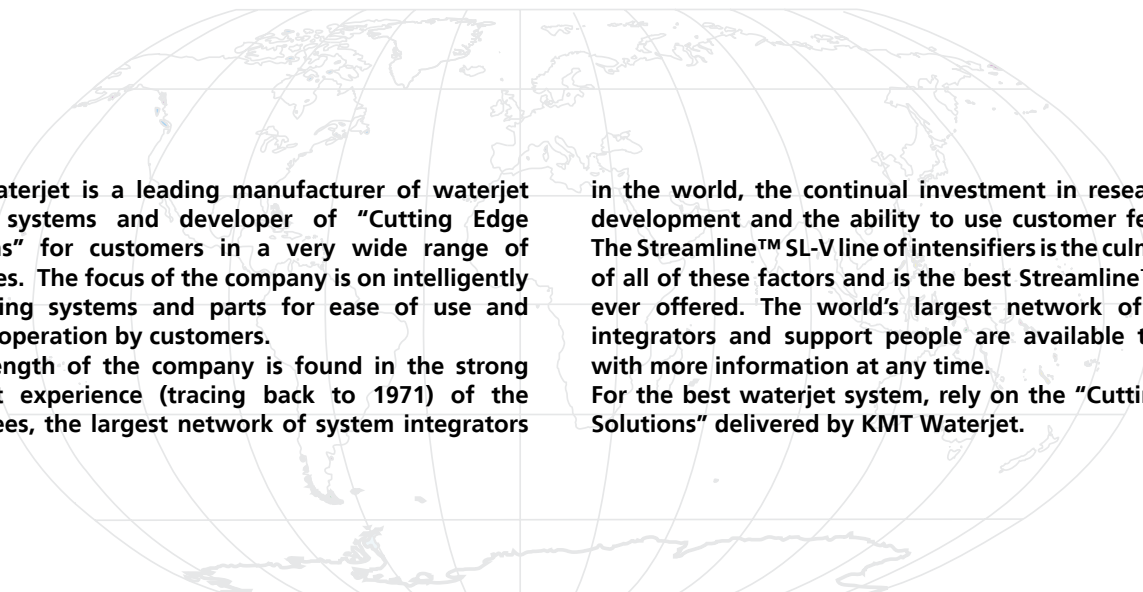
The head body, orifice and mixing chamber are all one piece, eliminating the guesswork around how worn each piece is, reducing pieces held in inventory, and simplifying the head mount.

10-20 Times Greater Performance

Diamond performance is far superior to rubies. Longer orifice life means more uptime due to fewer orifice changes and consistent precision cutting. The integrated design is based on a “coalescing plenum” for an effective and efficient mixing of water and abrasive. The design minimizes jet stream disruption for maximum energy in the waterjet stream.

Superior Edge Quality

Long performance of the diamond orifice delivers a more consistent stream for a longer amount of time, extending focusing tube life and providing a better, much more consistent edge to reduce scrap and eliminate waste.



KMT Waterjet is a leading manufacturer of waterjet cutting systems and developer of “Cutting Edge Solutions” for customers in a very wide range of industries. The focus of the company is on intelligently developing systems and parts for ease of use and reliable operation by customers.

The strength of the company is found in the strong waterjet experience (tracing back to 1971) of the employees, the largest network of system integrators

in the world, the continual investment in research and development and the ability to use customer feedback. The Streamline™ SL-V line of intensifiers is the culmination of all of these factors and is the best Streamline™ series ever offered. The world’s largest network of system integrators and support people are available to assist with more information at any time.

For the best waterjet system, rely on the “Cutting Edge Solutions” delivered by KMT Waterjet.



KMT Waterjet Systems Inc.

635 W. 12th Street • P.O. Box 231 • Baxter Springs, KS 66713
Tel.: 1-620-856-2151 • Fax: 1-620-856-5050
www.kmtgroup.com • info.waterjet@kmtgroup.com