

PSC

Precision System Components

High Pressure Valves, Fittings and
Tubing Products



The product lines within Precision System Components (PSC) were developed based on customer input and KMT's experience with extreme pressure systems. Key attributes identified as top needs before development began were durability, reliability and availability.

The net result is a new line of valves, fittings and tubing, made for higher performance in even the toughest environments, using precision production machines, superior materials, and new designs.

PSC represents a whole new standard for the key components needed for reliable production - valves, fittings and tubing.

The Value of Genuine KMT PSC Parts

KMT understands the need to keep your ultra high and medium pressure equipment running at peak performance. For this reason the company uses the latest technology to make parts for most any ultra high and medium pressure applications. By purchasing parts from KMT, you are assured of using Genuine Certified Parts that are made using the newest technology available – even if the parts are for older systems. Working with KMT for PSC Certified Genuine Parts has several additional benefits:

- ✓ KMT stocks a comprehensive inventory of high quality genuine parts with most available for immediate shipment.
- ✓ KMT replacement parts are the same reliable parts as your high and medium pressure system's original parts.
- ✓ KMT PSC parts have a 6 month limited warranty. (See package insert for more warranty information).
- ✓ Quick shipment of stock items in one business day or emergency same day delivery.
- ✓ KMT representatives are on hand 24/7 to answer technical questions, ship parts and, if required, dispatch a field service technician for an emergency site visit.
- ✓ Global Distribution Network

5 EASY WAYS TO ORDER!

24 Hours Day/7 Days Week

• **Local Stocking Distributor**

• **Toll Free Order-line:**

800-826-9274

• **On-Line:**

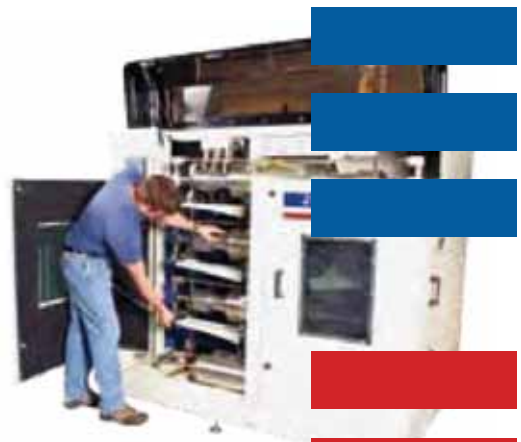
www.kmtstore.com

• **Fax:**

620-856-2242

• **E-mail:**

wj.parts@kmtwaterjet.com



*KMT's massive 200 HP Pump
from the STREAMLINE™
SL-V Plus Series*

Use KMT Waterjet Systems for Cutting:

- ✓ *Steel*
- ✓ *Stone*
- ✓ *Ceramic*
- ✓ *Metal*
- ✓ *Untempered Glass*
- ✓ *Foam*
- ✓ *Food*
- ✓ *Granite*
- ✓ *Marble*
- ✓ *Titanium*



KMT products are tested and meet ISO 9001 processes and procedures with specific requirements so that our products are designed to perfectly fit with minimal installation time and for maximize usage.

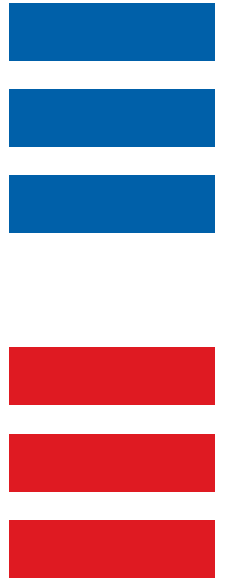


Table of Contents

Fax Order Form	4
Needle Valves (KMT Part Number Logic)	5
Manual Needle Valves	6
Ball Valves (KMT Part Number Logic)	7
Ball Valve Connection Suffix Numbers	8
Trunnion Valve Flow Configurations	9
Actuators (Air or Hydraulic) for Remote Valve Operation	10
Medium & High Pressure Fittings	11
Male & Female Adapters and In-Line Couplings	12-13
Rupture Discs, Check Valves, Filters & Manifolds	14
Nipples and Tubing	15
Pressure Gauges	16
Tools (Coning & Threading Tools, Manual Tube Benders, Tube Vises)	17
Medium Pressure Connections	18
High Pressure Connections	19
Tube Bending & Technical Information - Pressure vs. Temperature	20
Conversion Tables	21
KMT Line-up of Products - Brief Overview	22-23



KMT Part Number Logic for Needle Valves

In addition to standard, base catalog parts, parts can be configured to fit almost any need.



8 Digit Catalog Base Number →

Special Configuration Codes:

CONNECTION FITTING

- 0 Standard connection fittings
- 1 Anti-Vibration Collet Gland
- 2 Moly Coated Anti-Vib Collet Gland

PACKING

- 0 Standard valve packing - Glass Filled - Service to 600° F (315° C)
- 1 Grafoil Packing; service to 800° F (426° C)
- 2 Teflon Packing; Service to 450°F (232° C)

STEM

- 0 Standard-Vee Valve Stem
- 1 Regulating Stem
- 2 Metering Stem
- 3 Micrometering Stem
- 4 Stellite replaceable stem
- 5 Stellite replaceable stem w/ replaceable seat
- 6 316SS wetted parts
- 7 Vee Stem "repair kit"
- 8 Reg. Stem "repair kit"

ACTUATOR (For Actuator only, see Pg. 8)

- 0 Standard hand valve
- 1 Air to close 5"
- 2 Air to open 5"
- 3 Air to close 8"
- 4 Air to open 8"
- 5 Double Acting 5"
- 6 Double Acting 8"
- 7 2X Double Acting
- 8 Double Acting Hydraulic
- 9 Double Acting Hydraulic Heavy

SERVICE

- 0 Standard valve
- 1 Cryogenic
- 2 High Temperature
- 3 Sour Gas Service
- 4 Cleaned for O2 service

MATERIAL

- 0 Standard valve 316SS CW
- 1 Hastelloy "C"™
- 2 Monel 400™
- 3 Inconel 600
- 4 Inconel 625
- 5 Duplex 2205
- 6 Super Duplex 2507
- 7 Titanium

MOUNTING AND HANDLES

- 0 Standard valve
- 1 Panel Mounted Packing Gland
- 2 Handle Locking Device (Prevents unauthorized open/closing valves)
- 3 Stem Locking Device (Prevents stem from turning due to vibration)



10078889-0110001 = 66K valve, 9/16" Straight - Standard Connection Fittings, Grafoil Packing, Regulating Stem, No Actuator, No Special Service, Standard 316SS Material and Panel Mounted Packing Gland

KMT is committed to ISO 9001 quality assurance standards and has implemented ongoing quality improvement programs to continuously cycle test and enhance our products to provide customers with the best performing product available.

Recently, KMT completed a deep cycle test study conducted on several KMT products compared to similar competitor's products. The results; KMT's valves and fittings out performed competitive products by up to 14% longer life of the parts.



KMT ORDER LINE: 800-826-9274 or Fax 620-856-2242
Online Ordering: www.kmtstore.com

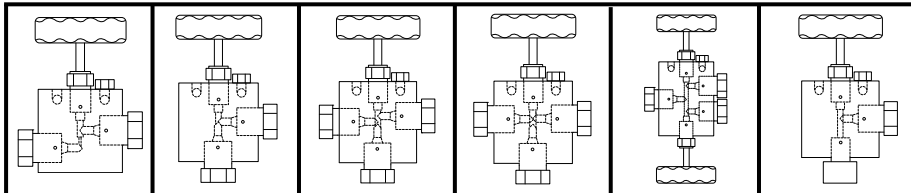
All general Terms and Conditions of sale, including limitations of our liability, apply to all products and services sold.

Manual Needle Valves

Standard PSC valves are made from a high grade of cold worked stainless steel. The valves were deep cycle tested for performance under extreme conditions and are available in all industry-standard sizes and body patterns.

PSC standard valves are available for quick delivery and designed for safe, reliable operation in even harsh environments. The valves can be configured in a large number of ways (see options on page 5).

- Coned and threaded connections provide dependable performance in gas or liquid service.
- Operating temperatures from -423° F (-252° C) to 1200° F (649° C).
- Non-rotating stem to prevent galling and scoring.
- Metal to metal seating.
- Six different body patterns, with choice of several stem styles (valve part numbers listed below are "vee" style stems).
- Safety weep holes for all pressure connections and stem packing area.



MAWP*	Tube OD	Cv**	2-way Straight	2-way Angle	3-way Two on Pressure	3-way One on Pressure	2-stem Manifold	2-way Angle Replaceable Seat
20,000 PSI (1,380 bar)	1/4"	0.31	20441435	20453289	20447004	20447063	20447113	20447162
	3/8"	0.75	20453292	20453301	20447022	20447071	20447121	20447170
	9/16"	1.75	20441732	20441750	20447029	20447079	20447128	20447178
	3/4"	2.80	20441932	20441940	20447037	20447087	20447136	20447186
	1"	5.20	20442130	20442137	20447045	20447095	20447144	20447194
30,000 PSI (2,070 bar)	1/4"	0.12	20447212	20447253	20447285	20447326	20447368	20447409
	3/8"	0.23	20447219	20447261	20447303	20447334	20447376	20447417
	9/16"	0.33	20447227	20447269	20447311	20447352	20447384	20447425
	1"	2.80	20447235	20447277	20447318	20447360	20447402	20447443
40,000 PSI (2,760 bar)	9/16"	0.31	20447451	20447459	20447467	20447475	20447493	20447500
66,000 PSI (4,550 bar)	1/4"	0.09	10079259	10079002	20447534	20447550	80077712	20447607
	3/8"	0.14	10078863	10078749	05137724	10097533	10119030	20447615
	9/16"	0.27	10078889	10079275	10153500	10097541	10100287	20447633
	3/4"	0.50	49832926	20447516	20447542	20447558	20447599	20447641

*MAWP = Maximum Allowable Working Pressure at 72° F (22° C)

**Cv values listed are for 2-way straight pattern valves. For 2-way angle pattern valves, increase Cv value by 50%.



KMT ORDER LINE: 800-826-9274 or Fax 620-856-2242
Online Ordering: www.kmtstore.com



Ball Valves

PSC ball valves, designed for maximum flow and easy maintenance, are available for pressure systems to 20,000psi, in 2- to 5-way designs and many options for connections and packing materials. They can also be fitted with PSC actuators for remote operation. Key features:

- Smooth, low torque, 1/4 –turn operation
- Built-in safety, pressure relief system
- Maintainable for lower operating costs
- Maximum-flow design to avoid pressure changes across valve
- Flow-indicator on handle
- Available in stainless steel material for quick delivery or other materials upon request.



Please call for more ordering information.

KMT Part Number Logic for Ball Valves

In addition to standard base catalog parts, valves can be configured to fit almost any need.

Ball Valve Model Prefix Number

60001	60013
60004	60015
60005	60016
60006	60017
60007	60018
60009	60019
60010	60020
60011	60021
60012	

Option Suffix Numbers

0 = Standard
1 = Buna-N O-rings
2 = EPR O-rings
3 = Handle locking device
4 = High-temperature o-rings
5 = Oxygen service
6 = Sour gas

Connection Suffix Numbers (up to 5)*



*For 3-way, 4-way & 5-way valves, please specify connections in order following the diagrams on page 7.

EXAMPLE PART NUMBER

60005-00909

60002-00909 = 20,000 PSI, 2-Way Valve, On-Off Service, 1/4" Port, 1.40 CV - Standard, 1/4" Female Medium Pressure, Coned/Threaded Tube x 1/4" Female Medium Pressure, Coned/Threaded Tube

MAWP*	Port	Cv**	Ball Valve Number
2-Way valves for On-Off Service 10,000 PSI (690 bar)	3/16"	0.75	60001
	1/2"	10.00	60004
2-Way valves for On-Off Service 20,000 PSI (1380 bar)	1/4"	1.40	60005
	3/8"	3.40	60006

MAWP*	Port	Cv**	Ball Valve Number
3-Way Valves for Service 10,000 PSI (690 bar)	3/16"	0.56	60007
	1/2"	5.00	6000
3-Way Valves for Service 12,000 PSI (830 bar)	3/16"	0.56	60010
	3/8"	2.40	60012
3-Way Valves for Service 20,000 PSI (1380 bar)	3/16"	0.56	60011
	3/8"	2.40	60012

MAWP*	Port	Cv**	Ball Valve Number
3-Way Valves for Service 10,000 PSI (690 bar)	3/16"	0.56	60013
	1/2"	5.00	60015
3-Way Valves for Service 12,000 PSI (830 bar)	3/16"	0.56	60016
	3/16"	0.56	60017
3-Way Valves for Service 20,000 PSI (1380 bar)	3/16"	0.56	60017
	3/8"	2.40	60018

MAWP*	Port	Cv**	Ball Valve Number
-Way Valves 10,000 PSI (690 bar)	3/16"	0.56	6001
	3/16" 5	0.56	60020
	3/8"	2.40	60021
	3/8" 5	2.40	60022

*MAWP = Maximum Allowable Working Pressure at 72° F (22° C)

**Cv values listed are for 2-way straight pattern valves excluding metering valves. For 2-way angle pattern valves, increase Cv value by 50%. For Metering Values: Cv=.004, Port size=0.062"

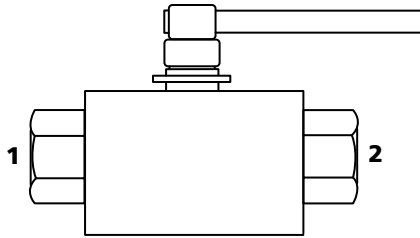
All KMT ball valves can be fitted with pneumatic or electric actuators for remote control. In addition, we also offer models for custom, limited and unique applications. Please call for more information.



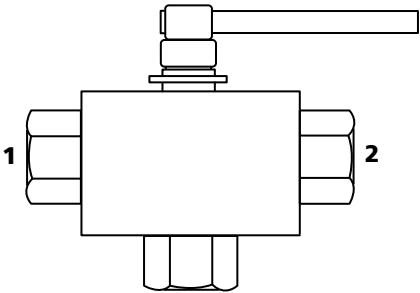
KMT ORDER LINE: 800-826-9274 or Fax 620-856-2242
Online Ordering: www.kmtstore.com

All general Terms and Conditions of sale, including limitations of our liability, apply to all products and services sold.

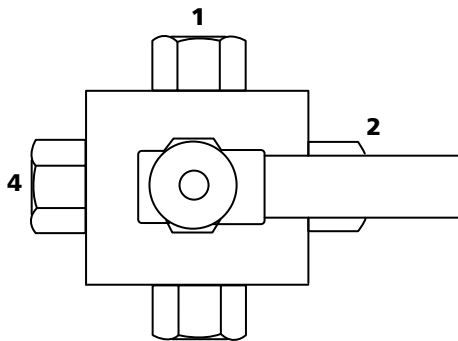
Ball Valve Connection Suffix Numbers



2-Way



3-Way



4- & 5-Way

MA PIP

MAWP*	Side Connection Suffix	Connection	Bottom Connection Suffix
1,000 PSI (1030 bar)	12	1/8	12
	13	1/4	13
	14	3/8	14
	15	1/2	15
10,000 PSI (690 bar)	22	3/4	22
	25	1	25
	26	1 1/2	26

MA PIP

MAWP*	Side Connection Suffix	Connection	Bottom Connection Suffix
15,000 PSI (1030 bar)	01	1/8	01
	02	1/4	02
	03	3/8	03
	04	1/2	04
10,000 PSI (690 bar)	28	3/4	28
	29	1	29
	30	1 1/2	30

MA MPCO D T R A D D T

MAWP*	Side Connection Suffix	Connection	Bottom Connection Suffix
20,000 PSI (1380 bar)	0	1/4 /	09
	10	3/8 /	10
	11	9/16 /	11
	20	3/4 /	20
	24	1 /	24

MA M P CON A B

MAWP*	Side Connection Suffix	Connection	Bottom Connection Suffix
20,000 PSI (1380 bar)	05	1/4 /	05
	07	3/8 /	07
	08	1/16 /	08
	21	3/4 /	21
	27	1 /	27

MA P CON A B

MAWP*	Side Connection Suffix	Connection	Bottom Connection Suffix
20,000 PSI (1380 bar)	16	1/4 /	16
	17	3/8 /	17
	18	1/16 /	18

MA P CON A B

MAWP*	Side Connection Suffix	Connection	Bottom Connection Suffix
20,000 PSI (1380 bar)	06	1/4 /	06
	1	3/8 /	1
	23	1/16 /	23

*MAWP = Maximum Allowable Working Pressure at 72° F (22° C)

CAUTION: The MAWP of the valve shall not exceed the MAWP of the valve series or the selected connection, whichever is less.



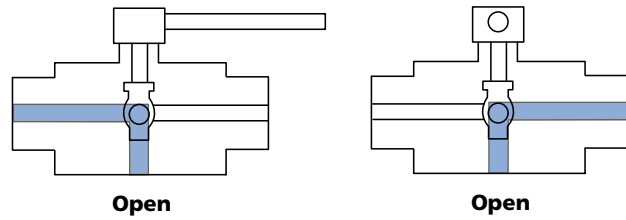
KMT ORDER LINE: 800-826-9274 or Fax 620-856-2242
Online Ordering: www.kmtstore.com



Trunnion Valve Flow Configurations

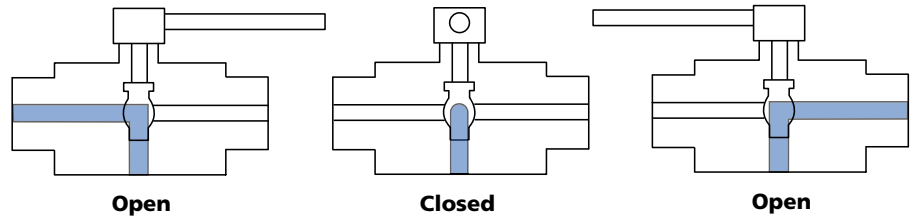
3-Way Diverting

3-Way diverting ball valves are designed to divert media from a single source to one of two separate lines. The 90° quarter-turn design allows for continuous on-line service.



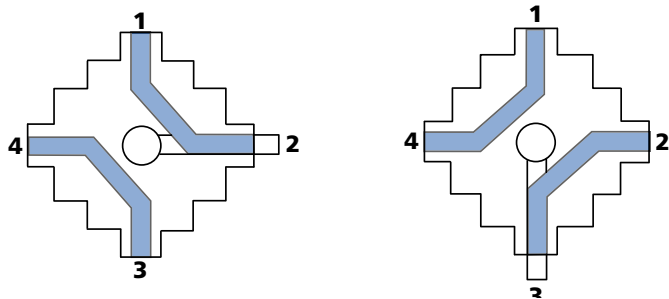
3-Way Switching

3-Way switching ball valves are designed to direct media from bottom inlet port to one of two separate lines. The 180° quarter-turn design allows for positive shutoff in the center position.



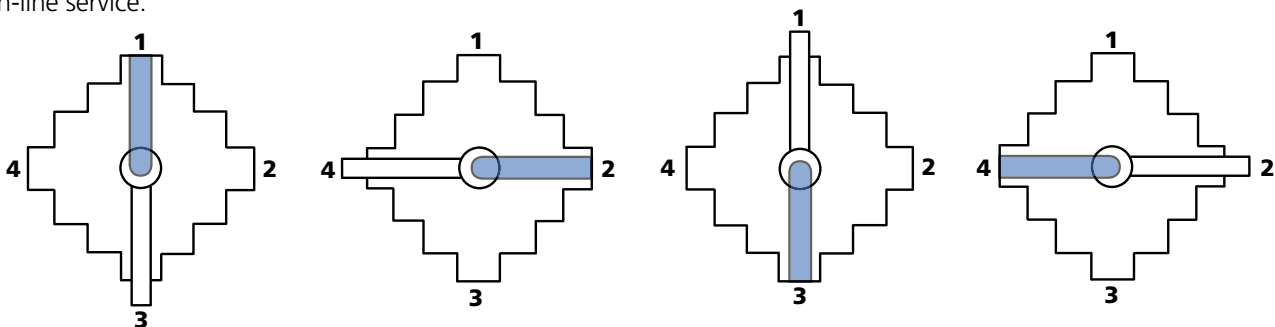
4-Way

4-way ball valves utilize a double-ported ball for crossover of two flows. The 90° quarter-turn design allows for continuous on-line service. The valve can be used in place of a three valve manifold.



5-Way

5-way ball valves direct media flow from a single bottom inlet to one of four separate lines. The 360° quarter-turn design allows for continuous on-line service.



All PSC Ball Valves are capable of bi-directional flow.



KMT ORDER LINE: 800-826-9274 or Fax 620-856-2242
Online Ordering: www.kmtstore.com

All general Terms and Conditions of sale, including limitations of our liability, apply to all products and services sold.

Air or Hydraulic Actuators for Remote Valve Operation

PSC actuators enable remote operation of manual valves and are typically used on valves located in harsh environments or limited access areas. The actuators were developed specifically for durability and reliable performance.

Single-Action Actuators have built in safety mechanisms which automatically close or open upon a loss in air pressure.

Normally Closed – Air is required to open the valve; any loss in air pressure automatically closes the valve.

Normally Open – Air is required to close the valve; any loss in air pressure automatically opens the valve.

Double-Action Actuators open or close valves in a controlled motion, using air or hydraulic pressure.



Selection Process:

- Step 1 - Choose the best manual valve for the application from the Manual Needle Valve section.
- Step 2 – Locate that valve number's prefix on the Actuator Chart below.
- Step 3 – Locate the line with the correct system pressure.
- Step 4 – Select the best Actuator for the application. Actuator number is at the top of the column.

This Chart for Actuator only. See page 4 for ordering with Needle Valve.

Valve Series Tube OD	Normally Open, Air-to-Close Actuators		Normally Closed, Air-to-Open Actuators		Double-Acting Pneumatic Actuators		Double-Acting Hydraulic Actuators	
	2044764	20447657	20447665	20447683	204476 0	204476 8	20447706	20447724
20 1 4 -3 8	20 000 1 380		20 000 1 380	20 000 1 380	20 000 1 380		20 000 1 380	
	74 5		82 10	55 4	63 4		592 41	
20 16	18 000 1 240	20 000 1 380	14 000 970	20 000 1 380	20 000 1 380		20 000 1 380	
	100 7	49 3	84 6	58 4	98 7		925 64	
20 3 4		20 000 1 380		12 500 860		20 000 1 380		20 000 1 380
		101 7		66 5		90 6		1 134 78
20 1		12 000 830		7 500 520		12 000 830		16 000 1 100
		100 7		66 5		89 6		1 500 103
30 1 4 - 16	30 000 2 070		30 000 2 070		30 000 2 070		30 000 2 070	
	35 2		78 10		23 2		222 15	
30 1		18 000 1 240		12 500 860		22 000 1 520		26 000 1 790
				66 5		99 7		1 475 102
40 16	40 000 2 760		40 000 2 760		40 000 2 760		40 000 2 760	
	36 2		78 10		24 2		227 16	
66 1 4 - 16	66 000 4 140		66 000 4 140		66 000 4 140		66 000 4 140	
	23 2		88 6		12 1		111 8	

*MAWP = Maximum Allowable Working Pressure at 72° F (22° C)



KMT ORDER LINE: 800-826-9274 or Fax 620-856-2242
Online Ordering: www.kmtstore.com



Medium and High Pressure Fittings

A wide assortment of fittings and couplings are stocked and available to handle nearly any coned and threaded connection requirement. Made from high quality stainless steel material, all are sized for best fit and durability, even in harsh environments. Custom sizes and shapes are available if needed.



MAWP*	ube O	lbo	ee	Cross	Cou lin	e laceable Seat Cou lin	Bul ea Cou lin
20 000 1 380	1/4"	80089576	80089584	20442955	20443087	20445195	20443064
	3/8"	20442897	20442923	20442973	20443095	20445203	20443072
	9/16"	49879208	20442931	20442980	20443113	20445211	20443079
	3/4"	20442905	20442939	20442988	20445179	20445229	20445244
	1"	49879802	49879810	49879828	20445187	20445237	20445252
30 000 2 070	1"	20445260	20445278	20445286	20445294	20445302	20445310
40 000 2 760	9/16"	20417213	20417221	20445343	20417229	20445369	20445377
66 000 4 550	1/4"	10079051	10079481	10097228	10079028	05142336	05089966
	3/8"	10078780	10078590	10078038	10078905	20445419	10078160
	9/16"	10078525	10079465	10079168	10078640	20445427	10079705
	3/4"	49832645	49832660	49832652	20445393	20445434	20424785

Standard material is 316 stainless steel. Other materials available upon request.

MAWP*	ube O	lan	Collar	Plu	Anti-Vibration Collet lan	Ca	1 An le Safety ea	2 lat Safety ea
20 000 1 380	1/4"	20441700	20441716	8008 568	20443030	20442 6	20446782	204553 5
	3/8"	20441708	20441724	204466	20443038	20443014	204467 0	204553 8
	/16"	4 87 216	20441 14	20446707	20443046	20443022	05075585	20455401
	3/4"	4 880024	4 880032	20446715	20446741	20446756	20446806	/
	1"	4 87 786	4 87 7 4	80085 21	20446748	20446764	20446814	/
30 000 2 070	1"	20442312	2044231	20446847	20446748	20446863	20446881	
40 000 2 760	/16"	10078608	1007 11	20446 05	20446 46	20446 31	20446 38	
66 000 4 550	1/4"	1007845	10078426	10078244	100786	20446 54	05018767	
	3/8"	1007812	10078715	1007 523	10078 13	20446 72	10078186	
	/16"	10078608	1007 11	10078772	100 3573	20446 80	10078574	
	3/4"	4 832678	4 832686	4 8326 4	20455 14	20446 88	20446 6	

11

*MAWP = Maximum Allowable Working Pressure at 72° F (22° C)



KMT ORDER LINE: 800-826-9274 or Fax 620-856-2242
Online Ordering: www.kmtstore.com

All general Terms and Conditions of sale, including limitations of our liability, apply to all products and services sold.

Male & Female Adapters and In-Line Couplings

KMT designs and manufactures a wide variety of adapters and couplings in an array of styles and sizes.

The following Charts (or Tables) offer some of the different tube connection adapters and couplings. Other connection styles and sizes are available upon request.

- All adapters and couplings are 316 cold worked stainless steel material. (Other materials available).
- Adapters are available in one or two piece male end design.

		MA N					
		MAWP* 10,000 PSI (690 bar) NP					
		1/4"	3/8"	1/2"	3/4"	1"	
MA N		1/4"					
		3/8"					
		1/2"					
		3/4"					
		1"					
	20 000 1 380	1/4"	20445708	20445624	20445715	20460630	20460633
		3/8"	204570 0	204570 3	204570 6	20460636	2046063
		1/16"	204570	20457102	20457105	20462214	0507603
		3/4"	20462220	20462223	20462226	2046222	20462232
		1.00"	20462235	20462238	050755 3	20462244	20462247
66 000 4 550	1/4"	05071154	20457111	20457114	20462250	20462253	
	3/8"	20457117	20457120	20457123	20462256	2046225	
	1/16"	0507467	2045712	204604 2	20462262	05142328	
	3/4"	20462268	20462271	20462274	20462277	20462280	

		MA N					
		10 000 6 0					
		1/4"	3/8"	1/2"	3/4"	1"	
MA D		1/4"					
		3/8"					
		1/2"					
		3/4"					
		1"					
	20 000 1 380	1/4"	20455551	20455554	20455557	2046237	204623 4
		3/8"	204604 5	204604 8	20460501	20462382	204623 7
		1/16"	20460504	20460507	20460510	20462385	20462400
		3/4"	20462361	20462367	20462373	20462388	20462403
		1.00"	20462364	20462370	20462376	204623 1	20462406
66 000 4 550	1/4"	20460 45	20460513	20460516	20462418	20462430	
	3/8"	2046051	20460522	20460525	20462421	20462433	
	1/16"	20460528	20460531	20460534	20462424	20462436	
	3/4"	2046240	20462412	20462415	20462427	2046243	

		MA N					
		10 000 6 0					
		1/4"	3/8"	1/2"	3/4"	1"	
MA D		1/4"					
		3/8"					
		1/2"					
		3/4"					
		1"					
	20 000 1 380	1/4"	20460801	20460804	20460807	204624 3	20462508
		3/8"	20460810	20460813	20460816	204624 6	20462511
		1/16"	2046081	20460822	20460825	204624	20462514
		3/4"	20462475	20462481	20462487	20462502	20462517
		1.00"	20462478	20462484	204624 0	20462505	20462520
66 000 4 550	1/4"	20460828	20460831	20460834	20462532	20462544	
	3/8"	20460837	20460840	20460843	20462535	20462547	
	1/16"	20460846	2046084	20460852	20462538	20462550	
	3/4"	20462523	20462526	2046252	20462541	20462553	

*MAWP = Maximum Allowable Working Pressure at 72° F (22° C)

Note: Maximum Pressure Rating of an adapter/coupling is based on the lowest rating of the two connections. Actual working pressure may be determined by the tubing.



KMT ORDER LINE: 800-826-9274 or Fax 620-856-2242
Online Ordering: www.kmtstore.com





MAWP* 20,000 PSI (1,380 bar)					MAWP* 66,000 PSI (4,140 bar)				
Tube OD					Tube OD				
1/4"	3/8"	9/16"	3/4"	1"	1/4"	3/8"	9/16"	3/4"	
80088529	20460750	20460753	20462283	20462286	20460774	20460777	20460780	20462331	
20460756	20460759	20460762	20462289	20462292	20460783	05042817	20460789	20462334	
20460765	20460768	20460771	20462304	20462307	20460792	20460795	20460798	20462346	
20462295	20462298	20462301	20462310	20462313	20462337	10126746	20461278	20462349	
20462316	20462319	20462322	20462325	20462328	20462352	20462355	20462343	20462358	
20445905	20445955	20446004	20446054	20446103	20446153	20446202	20446252	20446311	
20445913	20445963	20446012	20446062	20446121	20446171	20446220	20446270	20446319	
20445921	20445971	20446030	20446080	20446129	20446179	20446228	20446277	20446327	
20445939	20445989	20446038	20446087	20446137	20446186	20446236	20446285	20446335	
20445947	20445996	05075577	20446095	20446145	20446194	20446244	49889306	20446343	
20446361	20446392	20446434	20446483	20446525	49830151	10079473	10079424	20446650	
20446369	20446410	20446442	20446501	20446551	10079432	20446600	10079655	20446657	
20446376	20446418	20446460	20446509	20446558	10079580	10079457	20446616	49832801	
20446384	20446426	20446475	20446517	20446566	20446592	80072549	49837206	20446673	

20 000 1 380					66 000 4 140				
1/4"	3/8"	9/16"	3/4"	1"	1/4"	3/8"	9/16"	3/4"	
20455551	20460495	20460504	20462361	20462364	20460945	20460519	20460528	20462409	
20455554	20460498	20460507	20462367	20462370	20460513	20460522	20460531	20462412	
20455557	20460501	20460510	20462373	20462376	20460516	20460525	20460534	20462415	
20462379	20462382	20462385	20462388	20462391	20462418	20462421	20462424	20462427	
20462394	20462397	20462400	20462403	20462406	20462430	20462433	20462436	20462439	
20455578	20460567	20460570	20460591	20460594	20460645	20460654	20460663	20462442	
20460567	20460573	20460579	20460597	20460576	20460648	20460657	20460666	20462445	
20460570	20460579	20460600	20460603	20460606	20460651	20460660	20460669	20462448	
20460591	20460597	20460603	20460609	20460612	20462451	20462454	20462457	20462460	
20460594	20460576	20460606	20460612	20460615	20462463	20462466	20462469	20462472	
20460645	20460648	20460651	20462451	20462463	20460459	20460552	20460558	20460618	
20460654	20460657	20460660	20462454	20462466	20460552	20460555	20460561	20460621	
20460663	20460666	20460669	20462457	20462469	20460558	20460561	20460564	20460624	
20462442	20462445	20462448	20462460	20462472	20460618	20460621	20460624	20460627	

20 000 1 380					66 000 4 140				
1/4"	3/8"	9/16"	3/4"	1"	1/4"	3/8"	9/16"	3/4"	
20460801	20460810	20460819	20462475	20462478	20460828	20460837	20460846	20462523	
20460804	20460813	20460822	20462481	20462484	20460831	20460840	20460849	20462526	
20460807	20460816	20460825	20462487	20462490	20460834	20460843	20460852	20462529	
20462493	20462496	20462499	20462502	20462505	20462532	20462535	20462538	20462541	
20462508	20462511	20462514	20462517	20462520	20462544	20462547	20462550	20462553	
20443087	20445468	20445484	20445492	20445500	20445749	20445781	20445799	20445806	
20445468	20443095	20445518	20445525	20445533	20446574	20445757	20445814	20445822	
20445484	20445518	20443113	20445541	20445559	20446046	20446293	20445765	20445840	
20445492	20445525	20445541	20445179	20445575	20446608	20446665	20457108	20445773	
20445500	20445533	20445559	20445575	20445187	20445848	20445856	20445864	20445872	
20445749	20446574	20446046	20446608	20445848	10079028	10079614	10078145	20445890	
20445781	20445757	20446293	20446665	20445856	10079614	10078905	10079531	20445898	
20445799	20445814	20445765	20457108	20458864	10078145	10079531	10078640	20445920	
20445806	20445822	20445840	20445773	20445872	20445890	20445898	20445920	49832835	



KMT ORDER LINE: 800-826-9274 or Fax 620-856-2242
Online Ordering: www.kmtstore.com

All general Terms and Conditions of sale, including limitations of our liability, apply to all products and services sold.

1/4" Angular and 1/2" Flat Rupture Discs

1/4" & 1/2" rupture discs are designed to be used with the safety head assemblies shown on previous page. Minimum rupture disc pressure ratings should be at least 110% of system operating pressure. The standard material is Inconel. The pressure ranges indicated in the following tables are at room temperature (72° F). Other materials and pressure ranges are available upon request. See page 11 for Safety Head Assemblies.



Catalog Number	Pressure (psi)
20455 8	215 10 070
0507556	700 10 600
20455 2	10 185 11 130
20455 5	10 670 11 660
20455 8	11 155 12 1 0
20456001	11 640 12 720
20456004	12 125 13 250
20456007	12 610 13 780
20456010	13 0 5 14 310
20456013	13 580 14 840
20456016	14 550 15 00
2045601	15 035 16 430
20456022	15 520 16 60
20456025	16 005 17 4 0
20456028	16 4 0 18 020
20456031	16 75 18 550
20456034	17 460 1 080

Catalog Number	Pressure (psi)
20456037	17 45 1 610
20456040	18 15 20 670
20456043	1 400 21 200
20456046	1 885 21 730
2045604	21 000 22 000
20456052	21 825 23 850
20456055	24 250 26 500
20456058	25 220 27 560
20456061	26 1 0 28 620
20456064	27 160 2 680
20456067	2 100 31 800
20456070	30 070 32 860
20456073	31 525 34 450
20456076	33 50 37 100
2045607	36 375 3 750
20456082	38 880 42 400
20456085	41 255 45 050

Catalog Number	Pressure (psi)
20456088	43 650 47 700
204560 1	48 500 53 000
204560 4	53 350 58 300
204560 7	58 200 63 600
20456100	62 155 66 000
20456103	65 60 72 080
20456106	68 870 75 260

Catalog Number	Pressure (psi)
204561 0	4 850 5 300
204561 3	5 335 5 830
204561 6	5 626 6 148
204561	5 820 6 360
20456202	6 305 6 8 0
20456205	6 7 0 7 420
2045622	7 275 7 50
20456232	7 760 8 480
20456235	8 245 010
20456238	8 730 540
20456241	700 10 600

1/2" Flat Rupture Disc

Check Valves and Filters

Micron rating of filter must be specified. To order, complete the catalog number with the desired micron rating, upstream first:

20444831-40/20 = line filter with 1/4" M/P connections, a 40 micron filter upstream and 20 micron downstream.

Micron rating of filter must be specified. To order, complete the catalog number with the desired micron rating:

20444880-20 = cup filter with 1/4" M/P connections, with a 20 micron filter.



MAWP*	Tube O	Check Valves		Filters	
		Ball Valve	O-ring Valve	Ine	Cu
20 000 1 380	1/4"	20444732	20444781	20444831	20444880
	3/8"	20444740	2044478	2044483	204448 8
	1/16"	20444758	20444807	20444857	20444 06
	3/4"	20444766	20444815	20444864	20444 14
	1"	20444773	20444823	20444872	20444 22
30 000 2 070	1"	20444 30	20444 48	20444 56	20444 63
40 000 2 760	1/16"	20444 71	20444 7	20444 7	20445005
66 000 4 550	1/4"	80073885	20445054	204450 6	20445138
	3/8"	05075	20445062	20445104	20445145
	1/16"	100 613	20445070	20445112	20445153
	3/4"	20445047	20445088	20445120	20445161

*MAWP = Maximum Allowable Working Pressure at 72° F (22° C)

Manifolds

Custom, high pressure manifolds can be machined quickly from a large variety of materials, to provide a simple method of connecting multiple feeder lines to one supply. Design assistance is available if necessary. To speed production, files should be sent in dxf format, specifying material to be machined, material to be contained and types and sizes of fittings to be used. Once the manifold is made, it can easily be reordered with the same part number as marked on the manifold.



Nipples and Tubing

Tested, inspected and cold-drawn for maximum strength and performance, PSC stainless steel tubing meets high quality and performance standards for reliability at high pressures while containing corrosive materials. **Autofrettaged tubing is also available.**



Nipples

Coned to the correct angle for proper seating and threaded the appropriate length to avoid weakening the tube, PSC nipples are available in standard lengths (for quick delivery) and in custom lengths upon request. To order, choose the pressure range, outside diameter (OD) and length.

The standard material is 316 stainless steel. Other materials may be provided upon request.

MAWP*	Tube		Length						
	O	ID	2	3 00	00	6 00	8 00	10 00	12 00
20 000 1 380	1/4"	0.109"	20447914	20447922	20447930	20447938	20447946	20447964	20447971
	3/8"	0.203"	20447979	20447987	20448005	20448013	20448021	20448029	20448037
	9/16"	0.312"	—	20448063	05076021	20448078	20448086	20448104	20448112
	3/4"	0.438"	—	—	20448136	20448154	20448164	20448169	20448177
	1"	0.562"	—	—	—	20448219	20448227	20448245	20448253
30 000 2 070	1"	0.438"	—	—	—	20448294	20448302	20448310	20448318
			—	—	—	—	—	—	—
40 000 2 760	9/16"	0.250"	—	—	20448351	20448359	20448367	20448385	20448393
			—	—	—	—	—	—	—
66 000 4 550	1/4"	0.083"	10066520	10093359	10105880	10103018	80070519	10057636	10092153
	3/8"	0.125"	05050554	10094704	10105443	10094217	10103067	05147707	10106508
	9/16"	0.188"	—	05010822	10069326	10090272	10069524	05067780	05134457
	3/4"	0.250"	—	—	20448401	20448409	20448417	20448435	20448442

Tubing

PSC offers a complete selection of Austenetic cold drawn, stainless steel tubing in standard 20-27 foot lengths (lengths vary due to production runs) or in special lengths to 40 feet±. Inspected for consistency, the tubes have high strength and anti-corrosion durability for dependable, long-lasting performance.

The standard materials are 316 and 304 stainless steel. Other materials may be provided upon request depending on the specific material size and required pressure rating.

MAWP*	Tube		Catalo Number	
	O	I	316SS	30 SS
20 000 1 380	1/4"	0.10 "	80088578	20447748
	3/8"	0.203"	20447756	20447774
	7/16"	0.312"	20447782	100 6154
	3/4"	0.438"	204477 7	20447805
	1"	0.562"	20447823	20447831
30 000 2 070	1"	0.438"	2044783	20447847
			—	—
40 000 2 760	7/16"	0.250"	20447855	20417206
			—	—
66 000 4 550	1/4"	0.083"	10064376	80074420
	3/8"	0.125"	10064665	05056478
	7/16"	0.188"	100611 0	05143474
	3/4"	0.250"	4 832884	204478 6

± 40' Length - Use Part Number 10184810

*MAWP = Maximum Allowable Working Pressure at 72° F (22° C)



KMT ORDER LINE: 800-826-9274 or Fax 620-856-2242
Online Ordering: www.kmtstore.com

All general Terms and Conditions of sale, including limitations of our liability, apply to all products and services sold.

Pressure Gauges

KMT offers a line of gauges for indication of system pressure. All gauges are supplied with 1/4" H/P Coned and Threaded connections. Various adapters are available for use with medium and high pressure component systems. PSC pressure gauges are available for quick delivery and reliable operation. All are marked with part numbers to simplify re-ordering of the same gauge for new pressure lines or panels. All are supplied with 1/4" fittings and are made from stainless steel for durability and accuracy.

Standard Features:

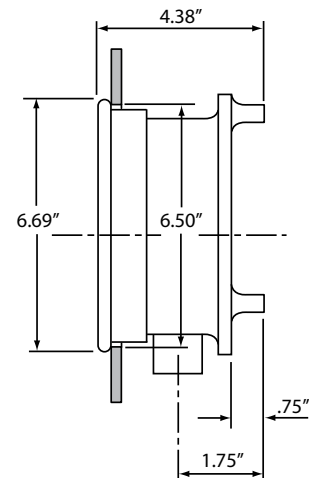
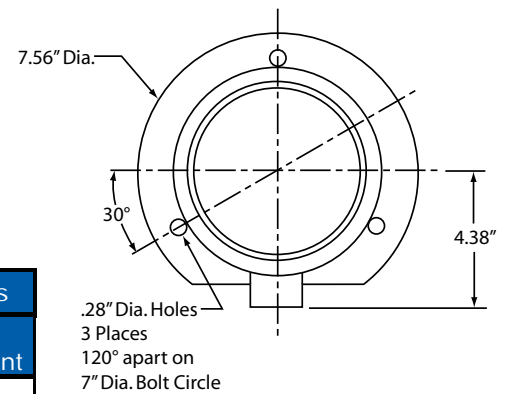
- Coned and threaded for high pressure connection
- Accuracy within 0.5%
- Built-in pressure relief panel
- Plastic face and aluminum alloy case with stainless steel fittings
- Convenient calibration adjustment access from front

Design Features:

- Designed to Class AA standards: 1/4 of 1% accuracy
- Impact resistant aluminum case
- Black epoxy finish
- 316SS Bourdon tube and socket
- Solid front provides maximum safety with a solid wall between the Bourdon tube and window
- Blowout disc covers entire rear of gauge for pressure relief should the Bourdon tube fail
- Other material are available upon request

Options:

- Electric Contact Face
- Liquid Filled



Pressure Range	Pressure Divisions	Bottom Connect Connections		Back Connect Connections	
		Wall Mount	Flange Mount	Wall Mount	Flange Mount
15 000 1 030	100 7	20454 3	20454 6	20454	20455002
20 000 1 380	200 14	20455005	20455008	20455011	20455014
30 000 2 070	250 17	20455017	20455020	20455023	20455026
50 000 3 450	500 34	2045502	20455032	20455035	20455038
75 000 5 1700	500 34	20455041	20455044	20455047	20455050
100 000 6 8 0	1 000 6	20455053	20455056	2045505	20455062



KMT ORDER LINE: 800-826-9274 or Fax 620-856-2242
Online Ordering: www.kmtstore.com



Tools and Installation

KMT offers manual and power coning and threading tools designed to prepare accurate tubing ends to accept the medium and high pressure cone and threaded connections.

Coning and Threading Tools

Manual and power tool attachments are both available for coning and threading different materials. Additional replacement blades, dies and bushings are available.



Series	ube O	MA A T O O S		POW R T O O S		Thread Dies	Coning lades
		Conin ool	rea in ool	Conin ool	rea in ool		
20 000	1/4"	20444558	05108865	20444667	05122742	05108899	20455206
	3/8"	20444576	05108873	20444674	05120258	05108915	20455209
	9/16"	20444583	05108881	20444682	05122759	10078301	20455212
	3/4"	20444591	20444633	20444690	49832843	20461488	20455215
	1"	20444599	20444641	20444708	20444649	20461491	20461494
30 000	1"	20444625	20444641	20444724	20444649	20461491	20461500
66 000	1/4"	05108832	05108865	05109897	05122742	05108899	05108808
	3/8"	05108857	05108873	05109889	05120258	05108915	05108824
	9/16"	05108840	05108881	05109871	05122759	10078301	05108816
	3/4"	49832850	49832868	49832892	49832843	49838311	49838337

Manual Tube Bender

The manual tube bender is light, precise, and portable for bending tubes onsite. This allows for easy and quick bending of the tubing to the angle needed.



	ube O	Catalo Number
	1/4"	20417734
	3/8"	20417701
	/16"	20417708
	1/4" 3/8" /16"	20455404
		20417726

Tube Vises

The easiest, most portable way to hold tubing while coning and threading the ends. Tube vises are designed to clamp the tube while keeping the surface intact for maximum strength.



ube O	Catalo Number
1/4"	05108782
3/8"	051087 0
/16"	05108774
3/4"	4 832876
1"	20440071



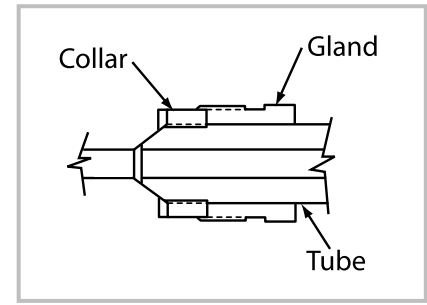
KMT ORDER LINE: 800-826-9274 or Fax 620-856-2242
Online Ordering: www.kmtstore.com

All general Terms and Conditions of sale, including limitations of our liability, apply to all products and services sold.

Medium Pressure Connections

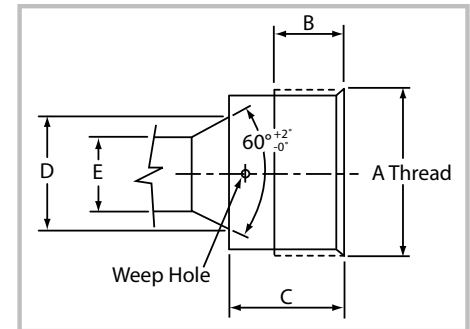
Assembly Procedure:

1. Slip gland nut onto tubing or nipple.
2. Screw collar onto threaded end of tubing or nipple. Allow one or two threads to be exposed on tubing or nipple between collar and coned tubing.
3. Lubricate male threads of gland nut with a non-hardening lubricant suitable for use on stainless steel. Lubricant chosen should also be compatible with working temperature requirements.
4. A small amount of process tolerable lubricant, such as silicone grease, on the cone tip will help with the sealing process.
5. Insert tubing into female connection of valve or fitting. Screw gland into connection until finger-tight.
6. Tighten gland nut to torque value shown at right which corresponds to connection size being assembled.

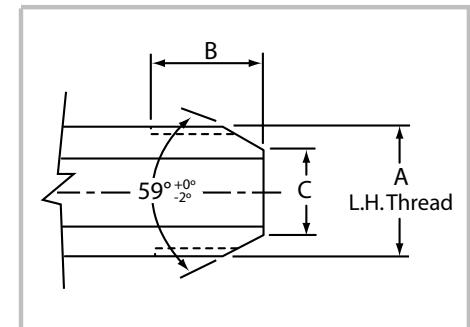


Tube Size	Engagement Allowance	Required Torque
1/4"	0.55" 14.0	20 27
3/8"	0.69" 17.5	30 41
9/16"	0.84" 21.3	55 75
3/4"	1.01" 25.7	90 122
1"	1.47" 37.3	125 170

Connection	Area	B	C		
1/4" /	7/16" 20	0.28" 7.1	0.50" 12.7	0.1" 4.8	0.10" 2.8
3/8" /	1/16" 18	0.38" 9.7	0.62" 15.7	0.31" 7.9	0.203" 5.2
1/2" /	13/16" 16	0.44" 11.2	0.75" 19.1	0.50" 12.7	0.312" 7.9
3/4" /	3/4" 14	0.50" 12.7	0.94" 23.9	0.62" 15.7	0.437" 11.1
1" /	1 3/8" 12	0.81" 20.6	1.31" 33.3	0.88" 22.4	0.562" 14.3



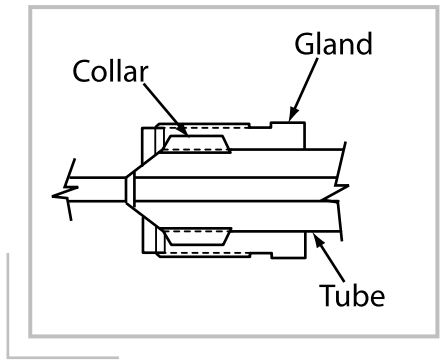
Connection	Area	B	C
1/4" /	1/4" 28	0.34" 8.6	0.140" 3.6
3/8" /	3/8" 24	0.44" 11.2	0.250" 6.4
1/2" /	1/16" 18	0.50" 12.7	0.406" 10.3
3/4" /	3/4" 16	0.62" 15.7	0.562" 14.3
1" /	1" 14	0.78" 19.8	0.718" 18.2



High Pressure Connections

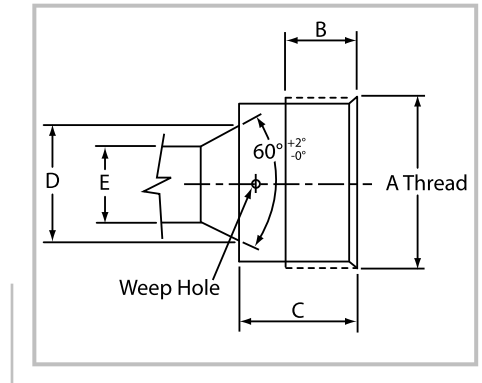
Assembly Procedure:

1. Slip gland nut onto tubing or nipple.
2. Screw collar onto threaded end of tubing or nipple. Allow one or two threads to be exposed on tubing or nipple between collar and coned tubing.
3. Lubricate male threads of gland nut with a non-hardening lubricant suitable for use on stainless steel. Lubricant chosen should also be compatible with working temperature requirements.
4. A small amount of process tolerable lubricant, such as silicone grease, on the cone tip will help with the sealing process.
5. Insert tubing into female connection of valve or fitting. Screw gland into connection until finger-tight.
6. Tighten gland nut to torque value shown at right which corresponds to connection size being assembled.

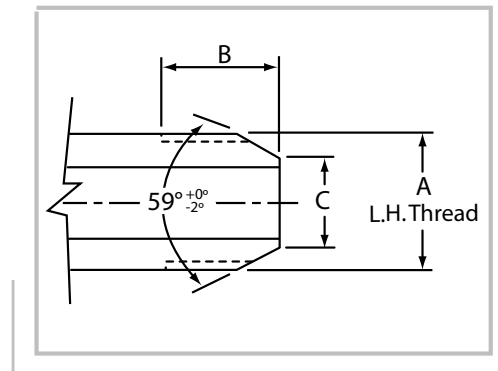


Tube Size	Allowance	Torque
1/4"	0.4" 12.4	25 34
3/8"	0.68" 17.3	50 68
1/2"	0.86" 21.8	75 102
1"	1.60" 40.6	150 203

Connection	Area	B	C		
1/4" / 1/16"	18	0.38" .7	0.44" 11.2	0.17" 4.3	0.03 2.4
3/8" / 3/4"	16	0.53" 13.5	0.62" 15.7	0.26" 6.6	0.125" 3.2
1/2" / 66 000	12	0.62" 15.7	0.75" 19.1	0.38" 9.7	0.188" 4.8
1/2" / 40 000	12	0.62" 15.7	0.75" 19.1	0.45" 11.4	0.250" 6.4
1" / 1 3/8"	12	0.81" 20.6	1.31" 33.3	0.88" 22.2	0.438" 11.1



Connection	Area	B	C
1/4" / 1/4"	28	0.56" 14.2	0.125" 3.2
3/8" / 3/8"	24	0.75" 19.1	0.21" 5.6
1/2" / 66 000	18	0.4" 10.2	0.281" 7.1
1/2" / 40 000	18	0.4" 10.2	0.353" 9.0
1" / 1"	14	0.2" 5.1	0.562" 14.3



KMT ORDER LINE: 800-826-9274 or Fax 620-856-2242
Online Ordering: www.kmtstore.com

All general Terms and Conditions of sale, including limitations of our liability, apply to all products and services sold.

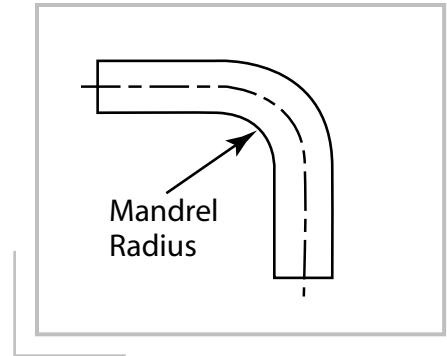
Minimum Bend Radius for 316SS and 304SS Tubing

66,000 PSI Tubing

O	I	Minimum Radius
1/4"	.083"	1.25"
3/8"	.125"	1.75"
9/16"	.188"	2.625"

20,000 PSI Tubing

O D	I D	Minimum Radius
1/4"	.109"	1.25"
3/8"	.203"	1.75"
9/16"	.312"	2.625"
3/4"	.438"	3.50"
1"	.562"	4.625"



40,000 PSI Tubing

O D	I D	Minimum Radius
9/16"	.250"	2.625"

10,000 PSI Tubing

O D	I D	Minimum Radius
9/16"	.359"	2.625"
3/4"	.516"	3.50"
1"	.688"	4.625"

30,000 PSI Tubing

O D	I D	Minimum Radius
1"	.438"	4.625"

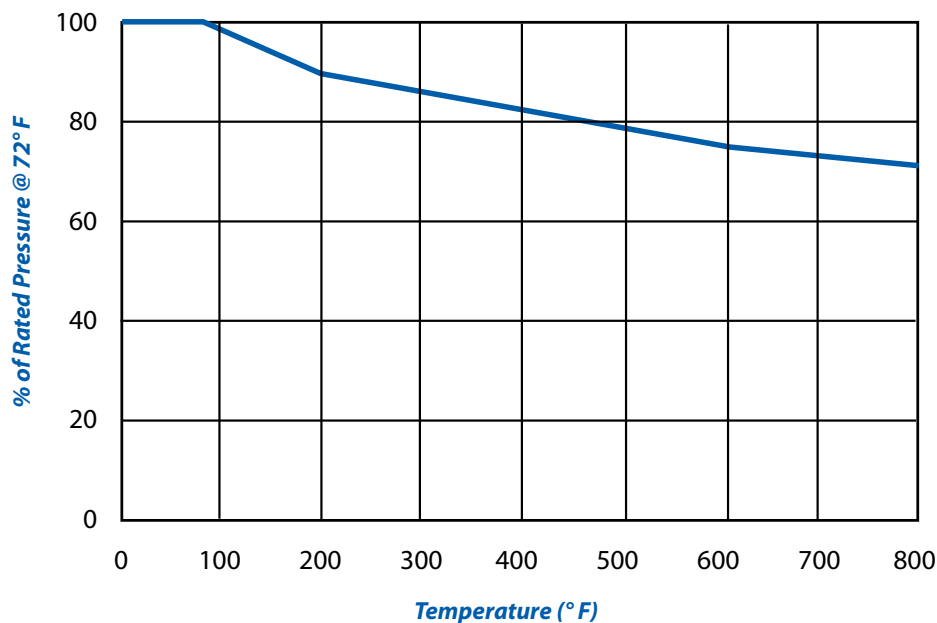
Technical Information - Pressure vs. Temperature

This information is only for use as general data for the selection of valves, fittings and tubing for elevated pressure and/or temperature applications in liquid or gas plumbing systems. Coned and threaded type tube fittings, standard on all valves and fittings can be used for most liquids and gases including lighter gases like Helium and Hydrogen.

This reference chart shows the effects of pressure versus temperature of cold worked 316 stainless steel material. When operating temperatures are above 800° F, a phenomenon called intergranular corrosion can occur - a condition which can permanently change the material properties of cold worked stainless steel. Once this condition occurs, the material is considered permanently altered, thereby a lower allowable pressure applies.

Other factors including creep resistance, packing design and materials, corrosion resistance, cyclic conditions and other process variables may affect the use of components at elevated temperatures. Consult factory when operating above 800° F.

Pressure vs. Temperature for Cold Worked 316 SS



Conversion Tables

P SS		
o convert	into	multi ly by
		1.01325
	/ 2	1.0332
		14.6 6
		0.101325
		101 325
		0. 86 2
	/	1.01 71
		14.504
		0.1
		100 000
/		0. 6784
		0. 8067
		14.223
		0. 8067
		8066.5
		.86 2
		10
	/	10.1 71
		145.04
		1 000 000
		0.00000 86 2
		0.00001
	/	0.0000101 71
		0.00014504
		0.000001
		0.068046
		0.068 47
	/	0.070307
		0.0068 48
		6 8 4.757

IN A		
o convert	into	multi ly by
		0.032808
		0.3 37
		0.01
		10 000
		10
		30.48006
		12
		0.3048
		304 800
		305
		2.540005
		0.08333
		0.0254
		25 400
		25.40005
		0.0001
		3.28083
		3 37
		1 000 000
		1 000
		0.0001
		0
		0.00003 37
		0.00014504
		0.000001
		0.1
		0.003281
		0.03 37
		0.001
		1 000

O M		
o convert	into	multi ly by
		0.00003531
		0.06102
		0.001
		0.000001
		0.0010568
		0.0002642
		28 317
		1 728
		28.317
		0.028317
		29.92
		7.4805
		16.387
		0.0005787
		0.016387
		0.05787
		0.01732
		0.004329
		1000.028
		0.03531
		61.023
		0.001
		1.057
		0.2642
		1000000
		35.31
		61 023
		1000
		1056.8
		264.2
		946.25
		0.03342
		57.75
		0.9463
		0.0009463
		0.25
		3785
		0.1337
		231
		3.785
		0.003785
		4

OW		
o convert	into	multi ly by
/	/	0.000353145
	/	0.0002642
	/	0.061
	/	0.001
/	/	28 320
	/	7.48
	/	28.8
	/	28.32
/	/	3 784.80
	/	0.1337
	/	231
	/	3.7843
/	/	16.3
	/	0.035
	/	0.016
	/	0.004
/	/	1000
	/	0.03531
	/	61.02
	/	0.26418

A A		
o convert	into	multi ly by
		0.0010764
		0.155
		0.0001
		100
		2 0341
		144.00
		0.0 2 03
		2 0
		6.4516258
		0.006 44
		0.0006451
		645.16258
		10 000
		10.76387
		1 550
		1 000 000
		0.01
		0.000010764
		0.00155
		0.000001

MP A	
	1.8 32
	32 / 1.8



KMT ORDER LINE: 800-826-9274 or Fax 620-856-2242
Online Ordering: www.kmtstore.com

All general Terms and Conditions of sale, including limitations of our liability, apply to all products and services sold.

The KMT Line-up of Products - A Brief Overview

Establish Your Competitive Edge with Streamline™ SL-V Pumps

Streamline™ systems use the latest technology and a very smart design for ease of use, reliability and convenience. The result is a system that delivers highest efficiency and profit.



	SL-V 15 PLUS	SL-V 30 PLUS	SL-V 50 PLUS	SL-V 60 PLUS	SL-V 75 PLUS	SL-V 100 PLUS
System Informaton						
Nominal Power Rate	15hp (11kW)	30hp (22kW)	50hp (37kW)	60hp (45kW)	75hp (56kW)	100hp (75kW)
Maximum Pressure Range	60,000psi (4,137 bar)					
Max. Water Flow Rate @ 55,000 psi (3,792 bar)	.30 gpm (1.14 lpm)	.60 gpm (2.27 lpm)	1.0 gpm (3.79 lpm)	1.2 gpm (4.54 lpm)	1.5 gpm (5.68 lpm)	2.0 gpm (7.57 lpm)
Maximum Single Orifice Diameter (@ full pressure)	0.007" (0.178mm)	0.011" (0.279mm)	0.014" (0.355mm)	0.015" (0.381mm)	0.017" (0.432mm)	0.020" (0.508mm)
Number of Language Options on Display	5					
Control Voltage & Power Supply	24V DC; 10 Amps DC					

Options & Other Features

Booster Pump (adjustable & protected)	na	Included	Included	Included	Included	Included
Wye-Delta Starter or Soft Start	na	Optional	Optional	Optional	Wye Delta Included Soft Start Optional	Wye Delta Included Soft Start Optional
Oil / Air-Cooler	na	Optional	Optional	Optional	Optional	Optional
Dual Pressure Compensator	na	Included	Included	Included	Included	Included
Redundant Topworks	na	Optional	Optional	Optional	Optional	Optional
Proportional Control	na	Optional	Optional	Optional	Optional	Optional
Remote Online Diagnostics (via Modem)	na	Optional	Optional	Optional	Optional	Optional
EQUALIZER Networking Kit Compatible	na	Optional	Optional	Optional	Optional	Optional

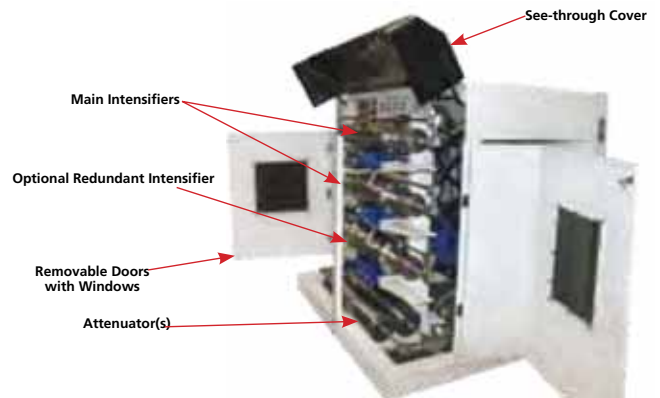
KMT's Most Massive Pump Ever! Streamline™ SL-V 150-200 HP Pumps

The 150 & 200 HP features proportional pressure control, 2 full power, stacked intensifiers for easy access with an optional third intensifier for back-up while doing maintenance on others - *keeps production going!*

	SL-V 150 PLUS	SL-V 200 PLUS
System Informaton		
Nominal Power Rate	150 HP	200 HP
Maximum Pressure Range	60,000psi (4,137 bar)	
Max. Water Flow Rate @ 55,000 psi (3,792 bar)	3 gpm (11 lpm)	4 gpm (14 lpm)
Maximum Single Orifice Diameter (@ full pressure)	0.024" (0.61mm)	0.028" (0.71mm)
Number of Language Options on Display	5	5
Control Voltage & Power Supply	24V DC; 10 Amps DC	

Options & Other Features

Booster Pump (adjustable & protected)	Standard	Standard
Energy Saving Soft Start	Standard	Standard
Oil / Air-Cooler (Closed Loop Cooling System)	Option	Option
Redundant Topworks	Option	Option
Proportional Control	Standard	Standard



KMT ORDER LINE: 800-826-9274 or Fax 620-856-2242
Online Ordering: www.kmtstore.com



KMT Has a Line of Pumps for Custom System Integration!

The S-30, E-Series and SRP intensifiers are dependable, versatile and economical options for multiple cutting applications.

S-30 Pump

For the user that prefers to design and build the pump control logic.



E-Series Pump

For efficient production of 55,000 psi water pressure at a very economical price.



SRP Intensifier

For companies that need a stronger, more reliable source of high pressure water in higher volumes.



Cutting Heads for Abrasive and Pure Water Cutting.

IDE™ Assembly

The IDE™ (Intefrated Diamond Eductor) Cutting Head has a one piece body, orifice and mixing chamber to eliminate guesswork, reducing assembly time and lasts a minimum of 500 hours! The IDE™ features an integrated orifice for permanent alignment and has 0% chance for mis-alignment. The IDE™'s superior operation provides *10-20 times better performance over sapphires or rubies!*

AUTOLINE™ II

Independent tests (performed by University of Missouri-Rolla) have shown that the AUTOLINE™ design is the ultimate in efficiency and has the lowest operating cost. The AUTOLINE™ design achieved the best overall cutting performance for speed and efficiency. Fast cutting and low abrasive consumption helped it to win top position against the competitors.

Pneumatic Valves NO/NC (Normally Open/Normally Closed)

The newly designed Pneumatic Valves contain new, re-designed seal and stem for longer, more predictable life. These valves enable longer production runs resulting in increased production of parts. The NO/NC valves have very reliable and fast performance due to the 12 stainless steel springs which apply the force to open or close the valve.



IDE™ Assembly



AUTOLINE™ II



Pneumatic Valves
(Normally Open/Normally Closed)

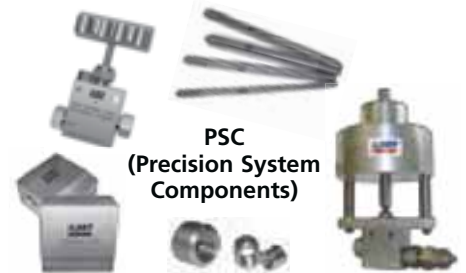
Other Quality Products Available from KMT



Robotic Kits



Intensifier
Replacement
Parts



PSC
(Precision System
Components)



Natural Diamond
Orifices



Abrasive Hoppers
500-2,000 Lbs.

Abrasive Metering
Systems



KMT ORDER LINE: 800-826-9274 or Fax 620-856-2242
Online Ordering: www.kmtstore.com

All general Terms and Conditions of sale, including limitations of our liability, apply to all products and services sold.

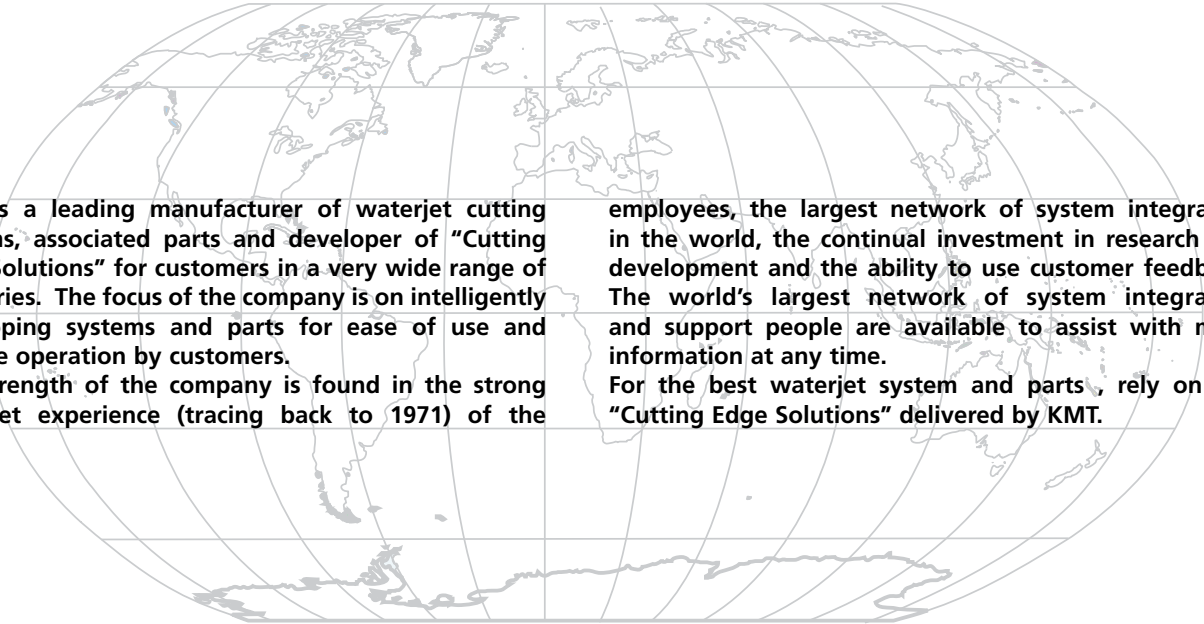
Standard Service Commitment

KMT Waterjet is committed to helping customers successfully choose the best parts and components for their high pressure equipment specific applications. KMT Waterjet provides the highest level of training, service and support for all of the systems it makes, directly and in conjunction with the widest range of system integrators in the world. No other company has a larger support network. Support and access to "Cutting Edge Solutions" is only a phone call away.

For the best in support and service, call KMT Waterjet Systems Inc.

Toll free: 800-826-9274 Fax: 620-856-2242 e-mail: wj.parts@kmtwaterjet.com

Order On-line: www.kmtstore.com



KMT is a leading manufacturer of waterjet cutting systems, associated parts and developer of "Cutting Edge Solutions" for customers in a very wide range of industries. The focus of the company is on intelligently developing systems and parts for ease of use and reliable operation by customers. The strength of the company is found in the strong waterjet experience (tracing back to 1971) of the

employees, the largest network of system integrators in the world, the continual investment in research and development and the ability to use customer feedback. The world's largest network of system integrators and support people are available to assist with more information at any time. For the best waterjet system and parts, rely on the "Cutting Edge Solutions" delivered by KMT.

Advancing Waterjet Technology

Worldwide Sales and Support Network

Making Waterjet Systems, Parts and their Components Easier to Use, with Greater Reliability

ISO 9001:2000 Certification; CSA and CE Certified

Trained, Certified Technicians

© 2007



KMT Waterjet Systems Inc. - Global Headquarters

635 W. 12th St. PO Box 231 • Baxter Springs, KS 66713

620-856-2151 • Fax (620) 856-5050

www.kmtgroup.com

