

Pneumatic Valves

NORMALLY OPEN & NORMALLY CLOSED VALVES

Proven Performance at Extreme Pressures

The newly designed pneumatic valves from KMT Waterjet contain new, re-designed seal and stem for longer, more predictable life. These valves enable longer production runs resulting in increased production of parts.

Designed to Perform Longer

The Normally Open & Normally Closed (NO/NC) valves have very reliable and fast performance due to the 6 stainless steel springs which apply the force to open or close the valve. The re-designed NO/NC valves *have an improved stem design and specialized seals* which provide a far better performance and enable increased production.

Compact and Lightweight for Versatility

The very compact, lightweight design allows them to be placed closer together for greater versatility. The valves are used in a wide range of applications, including high-speed robotic motion systems, high-volume slitting operations and demanding, custom-cutting operations, and the new stems deliver greater performance for longer production runs with many on-off cycles.

Two Designs

The *Normally Closed Valve*, which requires air pressure to open, can be used as a high-pressure on/off valve or as a component in a bleed-and-block system (which protects the high-pressure components from damage by rapid pressure changes). Because it is normally closed, water pressure will be maintained even if air pressure is lost – a great safety feature preventing an unexpected discharge of water.

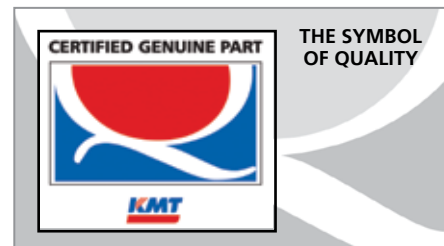
The *Normally Open Valve*, which requires air pressure to close, releases system pressure when air pressure is cut off, providing better protection to high-pressure components. This valve is not recommended for cutting heads.



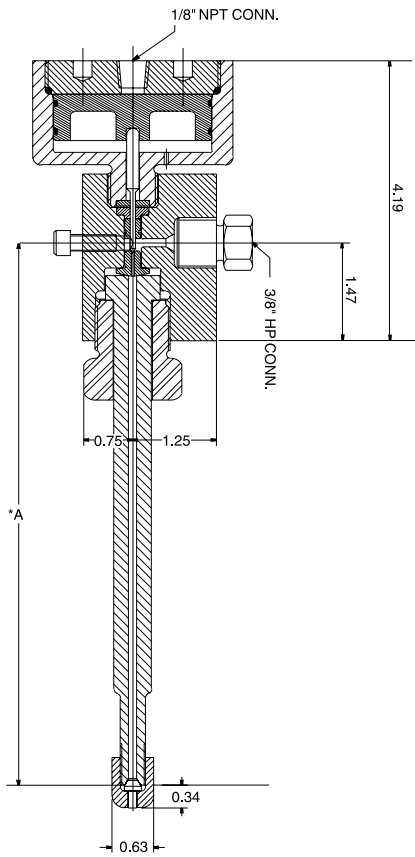
The KMT Waterjet Family of Products

The NO/NC Pneumatic Valves are premium valves designed to work with the complete line of KMT Waterjet cutting head components and the STREAMLINE™ SL-V line of pumps.

Please call to discuss your applications or to receive more information on any high pressure component. KMT Waterjet has a network of trained and certified technicians available to provide Cutting Edge Solutions.

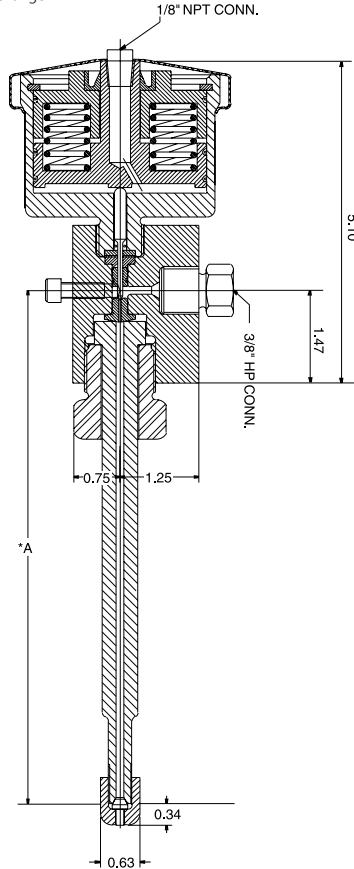


*Lengths are available 4" to 15"
 All dimensions are in inches.
 Specifications are subject to change.



Normally Open Valve

- Requires air pressure to close
- Loss of air pressure will automatically open the valve and release any stored water pressure



Normally Closed Valve

- Requires air pressure to open
- Contains water pressure if air pressure is lost

Summary of Features

Durability

New stem and seal design ensures a longer, more reliable life.

Minimal Maintenance

New stem designed for far more on/off cycles than ordinary valves.

Fast Reaction

Design enables faster movement between cutting locations for an increase in production.

Reliability

6 stainless steel springs increase reliability and production.

Flexibility

The compact design enables close stacking of the cutting heads.

Two Styles

match the right valve to specific machines or build a complete bleed-and-block system using the *Normally Open* or *Normally Closed* styles.

Components

Part of the industry-leading cutting system which includes the best-ranked AUTOLINE™ cutting nozzles, focusing tubes and orifices.

CYCLE TIMES

(Water @ 50,000 PSI)

VALVE	OPEN	CLOSE
NC	48 MS	160 MS
NO	48 MS	115 MS

(MS = Milliseconds)



Authorized Representative:

KMT Waterjet Systems Inc.

635 W. 12th Street • P.O. Box 231 • Baxter Springs, KS 66713
 Tel.: 1-620-856-2151 • Fax: 1-620-856-5050
www.kmtgroup.com • info.waterjet@kmtgroup.com